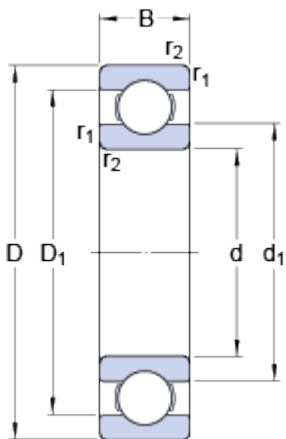


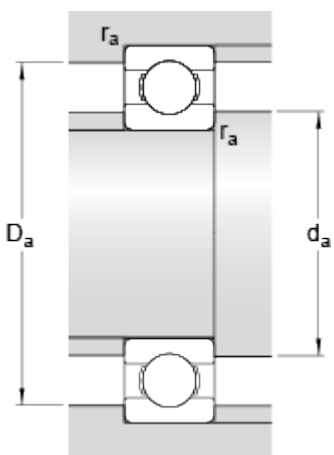
# 6406

## Dimensions



d	30	mm
D	90	mm
B	23	mm
$d_1$	≈ 50.34	mm
$D_1$	≈ 69.65	mm
$r_{1,2}$	min. 1.5	mm

## Abutment dimensions



$d_a$	min. 41	mm
$D_a$	max. 79	mm
$r_a$	max. 1.5	mm

## Calculation data

Basic dynamic load rating	C	43.6	kN
Basic static load rating	$C_0$	23.6	kN
Fatigue load limit	$P_u$	1	kN
Reference speed		18000	r/min
Limiting speed		11000	r/min
Calculation factor	$k_r$	0.035	
Calculation factor	$f_0$	12.1	

## Mass

Mass bearing	0.75	kg
--------------	------	----