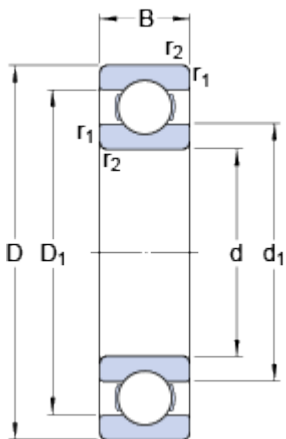


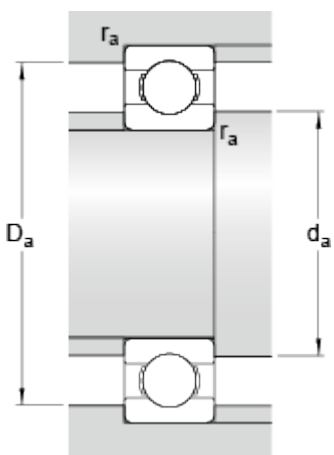
6407

Dimensions



d	35	mm
D	100	mm
B	25	mm
d_1	≈ 57.45	mm
D_1	≈ 79.55	mm
$r_{1,2}$	min. 1.5	mm

Abutment dimensions



d_a	min. 46	mm
D_a	max. 89	mm
r_a	max. 1.5	mm

Calculation data

Basic dynamic load rating	C	55.3	kN
Basic static load rating	C_0	31	kN
Fatigue load limit	P_u	1.29	kN
Reference speed		16000	r/min
Limiting speed		10000	r/min
Calculation factor	k_r	0.035	
Calculation factor	f_0	12.1	

Mass

Mass bearing	0.97	kg
--------------	------	----