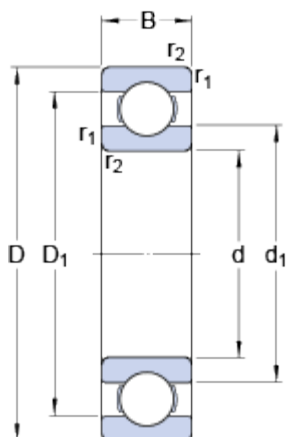




16015

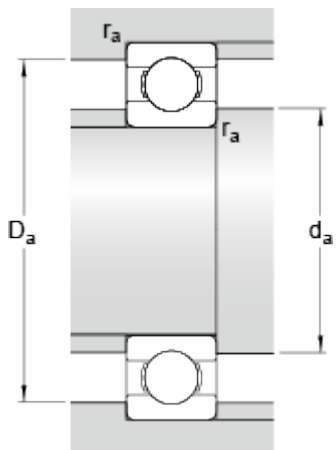
Popular item
SKF Explorer

Dimensions



d	75	mm
D	115	mm
B	13	mm
d ₁	≈ 88.3	mm
D ₁	≈ 101.8	mm
r _{1,2}	min. 0.6	mm

Abutment dimensions



d _a	min. 78.2	mm
D _a	max. 111	mm
r _a	max. 0.6	mm

Calculation data

Basic dynamic load rating	C	30.2	kN
Basic static load rating	C ₀	27	kN
Fatigue load limit	P _u	1.14	kN
Reference speed		12000	r/min
Limiting speed		7500	r/min
Calculation factor	k _r	0.02	
Calculation factor	f ₀	16.4	

Mass

Mass bearing	0.46	kg
--------------	------	----