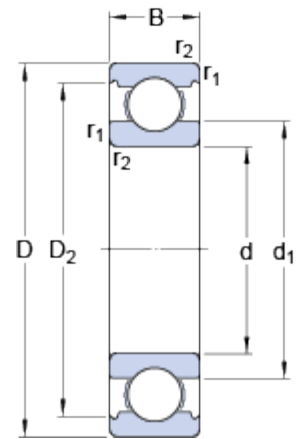




6009

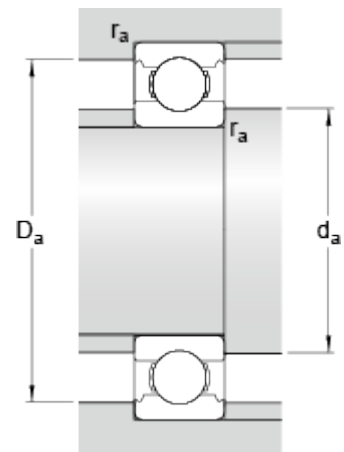
Popular item
SKF Explorer

Dimensions



d	45	mm
D	75	mm
B	16	mm
d_1	≈ 54.75	mm
D_2	≈ 67.8	mm
$r_{1,2}$	min. 1	mm

Abutment dimensions



d_a	min. 50.8	mm
D_a	max. 69.2	mm
r_a	max. 1	mm

Calculation data

Basic dynamic load rating	C	22.1	kN
Basic static load rating	C_0	14.6	kN
Fatigue load limit	P_u	0.64	kN
Reference speed		20000	r/min
Limiting speed		12000	r/min
Calculation factor	k_r	0.025	
Calculation factor	f_0	14.9	

Mass

Mass bearing	0.24	kg
--------------	------	----