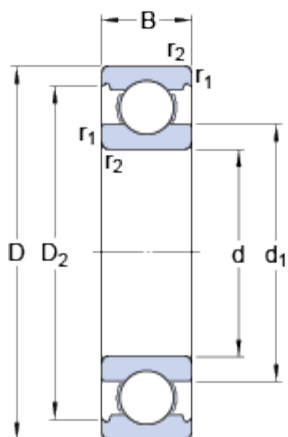


6012

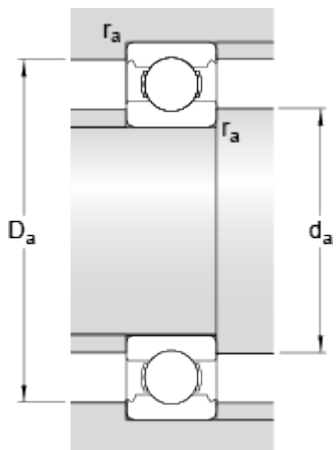
Popular item
SKF Explorer

Dimensions



d	60	mm
D	95	mm
B	18	mm
d ₁	≈ 71.3	mm
D ₂	≈ 86.5	mm
r _{1,2}	min. 1.1	mm

Abutment dimensions



d _a	min. 66	mm
D _a	max. 89	mm
r _a	max. 1	mm

Calculation data

Basic dynamic load rating	C	30.7	kN
Basic static load rating	C ₀	23.2	kN
Fatigue load limit	P _u	0.98	kN
Reference speed		15000	r/min
Limiting speed		9500	r/min
Calculation factor	k _r	0.025	
Calculation factor	f ₀	15.6	

Mass

Mass bearing		0.41	kg
--------------	--	------	----