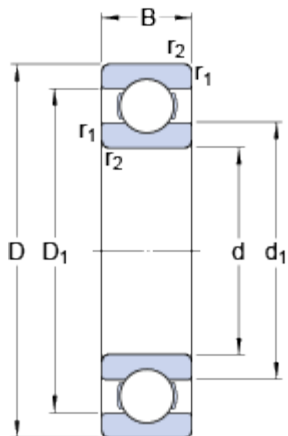


61811

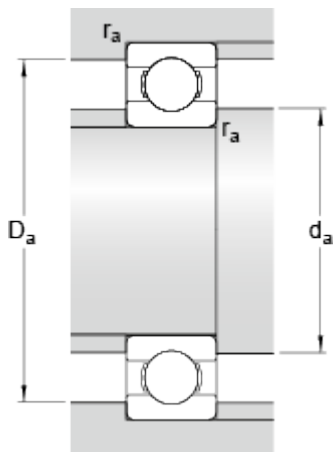
Popular item

Dimensions



d	55	mm
D	72	mm
B	9	mm
d ₁	≈ 60.3	mm
D ₁	≈ 67	mm
D ₂	≈ 68.68	mm
r _{1,2}	min. 0.3	mm

Abutment dimensions



d _a	min. 57	mm
D _a	max. 70	mm
r _a	max. 0.3	mm

Calculation data

Basic dynamic load rating	C	9.04	kN
Basic static load rating	C ₀	8.8	kN
Fatigue load limit	P _u	0.375	kN
Reference speed		19000	r/min
Limiting speed		12000	r/min
Calculation factor	k _r	0.015	
Calculation factor	f ₀	17	

Mass

Mass bearing	0.083	kg
--------------	-------	----