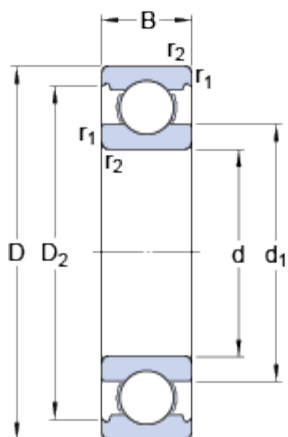


61816

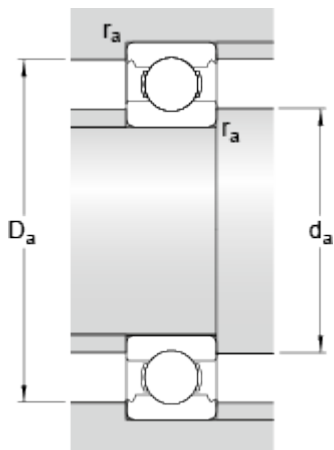
Popular item

Dimensions



d	80	mm
D	100	mm
B	10	mm
d_1	≈ 86.7	mm
D_2	≈ 95.7	mm
$r_{1,2}$	min. 1.3	mm

Abutment dimensions



d_a	min. 83.2	mm
D_a	max. 96.8	mm
r_a	max. 0.6	mm

Calculation data

Basic dynamic load rating	C	12.7	kN
Basic static load rating	C_0	11.2	kN
Fatigue load limit	P_u	0.61	kN
Reference speed		13000	r/min
Limiting speed		8000	r/min
Calculation factor	k_r	0.015	
Calculation factor	f_0	13.3	

Mass

Mass bearing	0.15	kg
--------------	------	----