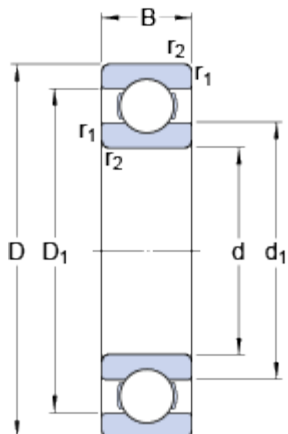




# 61910

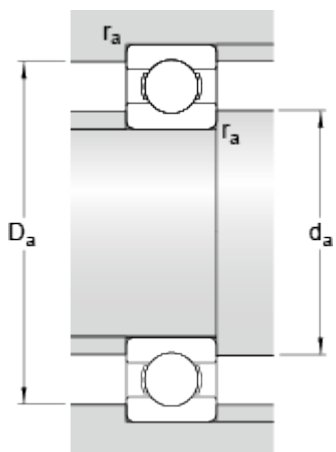
Popular item

## Dimensions



d	50	mm
D	72	mm
B	12	mm
d <sub>1</sub>	≈ 56.8	mm
D <sub>1</sub>	≈ 65.6	mm
D <sub>2</sub>	≈ 67.3	mm
r <sub>1,2</sub>	min. 0.6	mm

## Abutment dimensions



d <sub>a</sub>	min. 53.2	mm
D <sub>a</sub>	max. 68.8	mm
r <sub>a</sub>	max. 0.6	mm

## Calculation data

Basic dynamic load rating	C	14.6	kN
Basic static load rating	C <sub>0</sub>	11.8	kN
Fatigue load limit	P <sub>u</sub>	0.5	kN
Reference speed		19000	r/min
Limiting speed		12000	r/min
Calculation factor	k <sub>r</sub>	0.02	
Calculation factor	f <sub>0</sub>	16.1	

## Mass

Mass bearing		0.14	kg
--------------	--	------	----