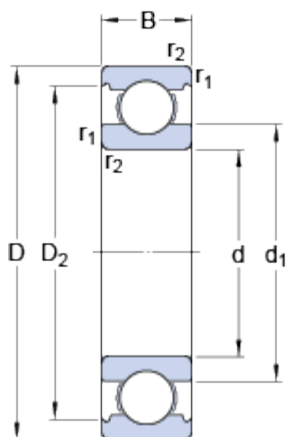


# 61915

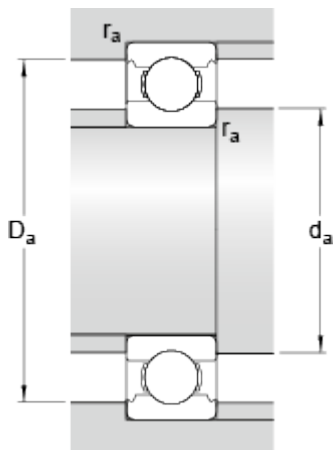
Popular item

## Dimensions



d	75	mm
D	105	mm
B	16	mm
d <sub>1</sub>	≈ 84.8	mm
D <sub>2</sub>	≈ 97.9	mm
r <sub>1,2</sub>	min. 1.9	mm

## Abutment dimensions



d <sub>a</sub>	min. 79.6	mm
D <sub>a</sub>	max. 100	mm
r <sub>a</sub>	max. 1	mm

## Calculation data

Basic dynamic load rating	C	24.2	kN
Basic static load rating	C <sub>0</sub>	19.3	kN
Fatigue load limit	P <sub>u</sub>	0.965	kN
Reference speed		13000	r/min
Limiting speed		8000	r/min
Calculation factor	k <sub>r</sub>	0.02	
Calculation factor	f <sub>0</sub>	14	

## Mass

Mass bearing	0.36	kg
--------------	------	----