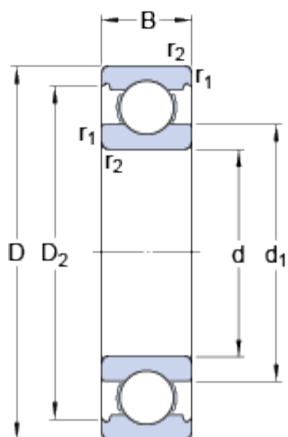




# 6214

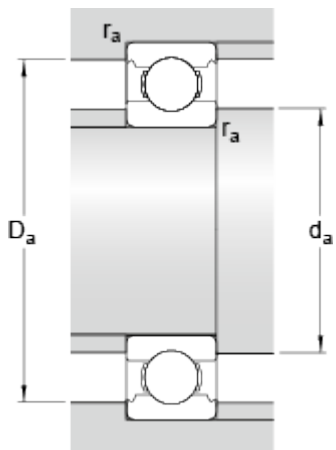
Popular item  
SKF Explorer

## Dimensions



d	70	mm
D	125	mm
B	24	mm
d <sub>1</sub>	≈ 87.05	mm
D <sub>2</sub>	≈ 111	mm
r <sub>1,2</sub>	min. 1.5	mm

## Abutment dimensions



d <sub>a</sub>	min. 79	mm
D <sub>a</sub>	max. 116	mm
r <sub>a</sub>	max. 1.5	mm

## Calculation data

Basic dynamic load rating	C	63.7	kN
Basic static load rating	C <sub>0</sub>	45	kN
Fatigue load limit	P <sub>u</sub>	1.9	kN
Reference speed		11000	r/min
Limiting speed		7000	r/min
Calculation factor	k <sub>r</sub>	0.025	
Calculation factor	f <sub>0</sub>	14.7	

## Mass

Mass bearing		1.09	kg
--------------	--	------	----