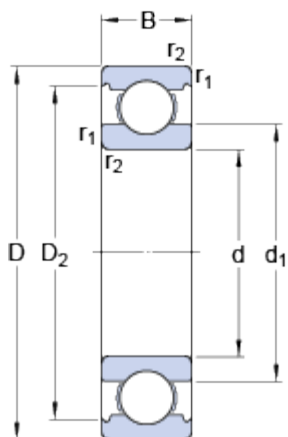


6215

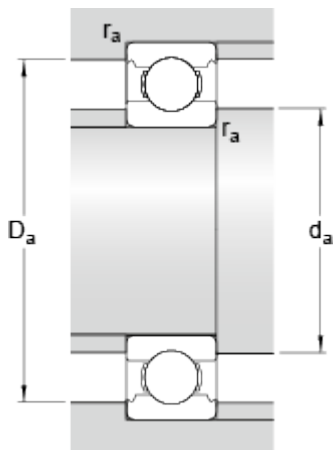
Popular item
SKF Explorer

Dimensions



d	75	mm
D	130	mm
B	25	mm
d ₁	≈ 92.05	mm
D ₂	≈ 116.5	mm
r _{1,2}	min. 1.5	mm

Abutment dimensions



d _a	min. 84	mm
D _a	max. 121	mm
r _a	max. 1.5	mm

Calculation data

Basic dynamic load rating	C	68.9	kN
Basic static load rating	C ₀	49	kN
Fatigue load limit	P _u	2.04	kN
Reference speed		10000	r/min
Limiting speed		6700	r/min
Calculation factor	k _r	0.025	
Calculation factor	f ₀	14.7	

Mass

Mass bearing	1.19	kg
--------------	------	----