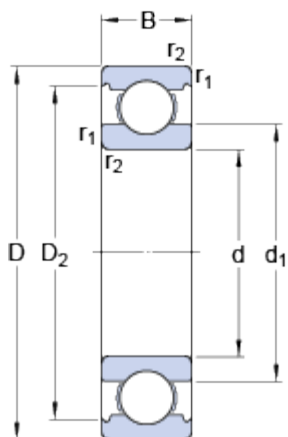


6216

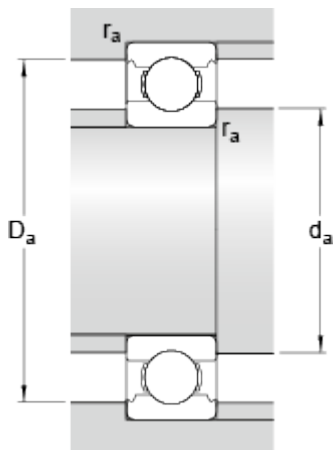
Popular item
SKF Explorer

Dimensions



d	80	mm
D	140	mm
B	26	mm
d ₁	≈ 101.4	mm
D ₂	≈ 126.5	mm
r _{1,2}	min. 2	mm

Abutment dimensions



d _a	min. 91	mm
D _a	max. 129	mm
r _a	max. 2	mm

Calculation data

Basic dynamic load rating	C	72.8	kN
Basic static load rating	C ₀	55	kN
Fatigue load limit	P _u	2.2	kN
Reference speed		9500	r/min
Limiting speed		6000	r/min
Calculation factor	k _r	0.025	
Calculation factor	f ₀	15	

Mass

Mass bearing	1.47	kg
--------------	------	----