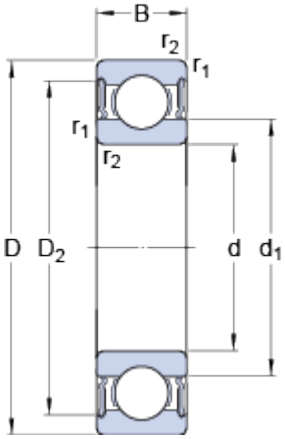


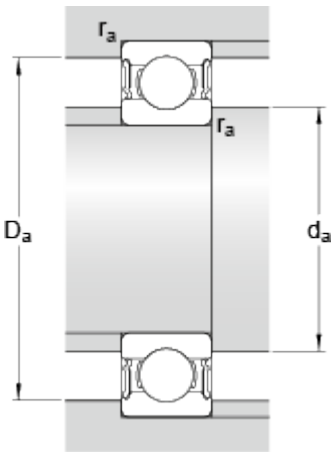
62211-2RS1

Dimensions



d	55	mm
D	100	mm
B	25	mm
d_1	≈ 69.06	mm
D_2	≈ 89.4	mm
$r_{1,2}$	min. 1.5	mm

Abutment dimensions



d_a	min. 64	mm
d_a	max. 69	mm
D_a	max. 91	mm
r_a	max. 1.5	mm

Calculation data

Basic dynamic load rating	C	43.6	kN
Basic static load rating	C_0	29	kN
Fatigue load limit	P_u	1.25	kN
Limiting speed		4300	r/min
Calculation factor	k_r	0.025	
Calculation factor	f_0	14.3	

Mass

Mass bearing		0.75	kg
--------------	--	------	----