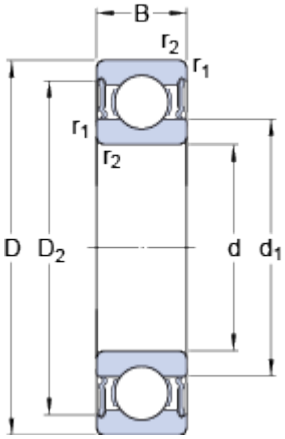


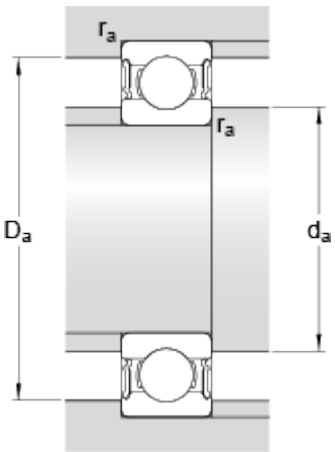
# 62212-2RS1

## Dimensions



d	60	mm
D	110	mm
B	28	mm
$d_1$	≈ 75.5	mm
$D_2$	≈ 98	mm
$r_{1,2}$	min. 1.5	mm

## Abutment dimensions



$d_a$	min. 69	mm
$d_a$	max. 75.4	mm
$D_a$	max. 101	mm
$r_a$	max. 1.5	mm

## Calculation data

Basic dynamic load rating	C	52.7	kN
Basic static load rating	$C_0$	36	kN
Fatigue load limit	$P_u$	1.53	kN
Limiting speed		4000	r/min
Calculation factor	$k_r$	0.025	
Calculation factor	$f_0$	14.3	

## Mass

Mass bearing	1.01	kg
--------------	------	----