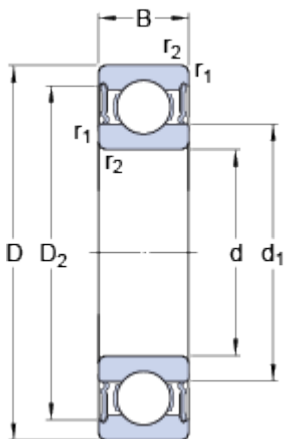


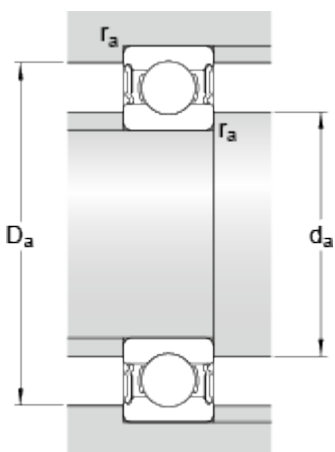
62213-2RS1

Dimensions



d	65	mm
D	120	mm
B	31	mm
d_1	≈ 83.3	mm
D_2	≈ 105.8	mm
$r_{1,2}$	min. 1.5	mm

Abutment dimensions



d_a	min. 74	mm
d_a	max. 83.2	mm
D_a	max. 111	mm
r_a	max. 1.5	mm

Calculation data

Basic dynamic load rating	C	55.9	kN
Basic static load rating	C_0	40.5	kN
Fatigue load limit	P_u	1.73	kN
Limiting speed		3600	r/min
Calculation factor	k_r	0.025	
Calculation factor	f_0	14.7	

Mass

Mass bearing		1.38	kg
--------------	--	------	----