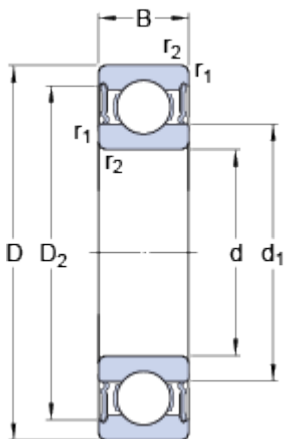


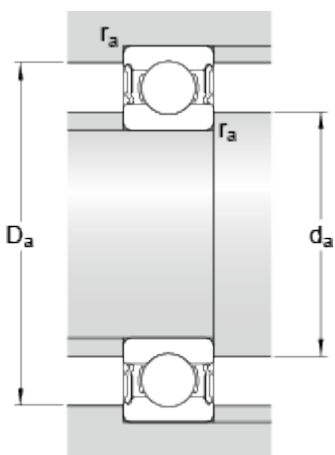
62214-2RS1

Dimensions



d	70	mm
D	125	mm
B	31	mm
d ₁	≈ 87.05	mm
D ₂	≈ 111	mm
r _{1,2}	min. 1.5	mm

Abutment dimensions



d _a	min. 79	mm
d _a	max. 87	mm
D _a	max. 116	mm
r _a	max. 1.5	mm

Calculation data

Basic dynamic load rating	C	60.5	kN
Basic static load rating	C ₀	45	kN
Fatigue load limit	P _u	1.9	kN
Limiting speed		3400	r/min
Calculation factor	k _r	0.025	
Calculation factor	f ₀	14.7	

Mass

Mass bearing	1.42	kg
--------------	------	----