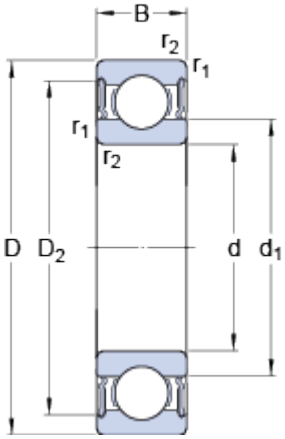


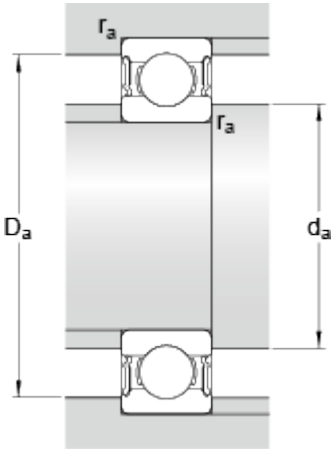
62308-2RS1

Dimensions



d	40	mm
D	90	mm
B	33	mm
d_1	≈ 56.11	mm
D_2	≈ 77.7	mm
$r_{1,2}$	min. 1.5	mm

Abutment dimensions



d_a	min. 49	mm
d_a	max. 56	mm
D_a	max. 81	mm
r_a	max. 1.5	mm

Calculation data

Basic dynamic load rating	C	41	kN
Basic static load rating	C_0	24	kN
Fatigue load limit	P_u	1.02	kN
Limiting speed		5000	r/min
Calculation factor	k_r	0.03	
Calculation factor	f_0	13.2	

Mass

Mass bearing		0.92	kg
--------------	--	------	----