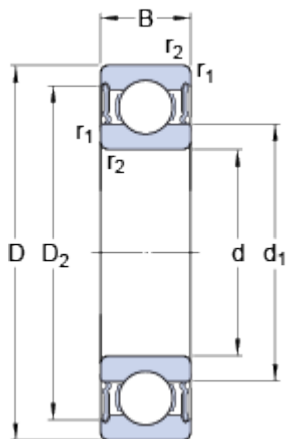


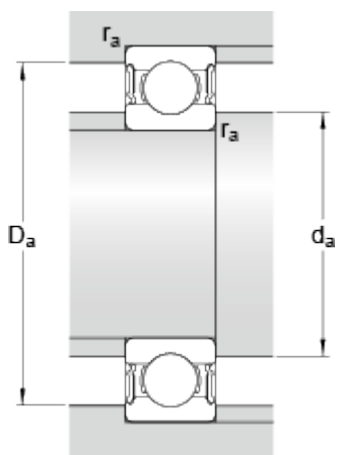
62309-2RS1

Dimensions



d	45	mm
D	100	mm
B	36	mm
d_1	≈ 62.18	mm
D_2	≈ 86.7	mm
$r_{1,2}$	min. 1.5	mm

Abutment dimensions



d_a	min. 54	mm
d_a	max. 62.1	mm
D_a	max. 91	mm
r_a	max. 1.5	mm

Calculation data

Basic dynamic load rating	C	52.7	kN
Basic static load rating	C_0	31.5	kN
Fatigue load limit	P_u	1.34	kN
Limiting speed		4500	r/min
Calculation factor	k_r	0.03	
Calculation factor	f_0	13	

Mass

Mass bearing	1.21	kg
--------------	------	----