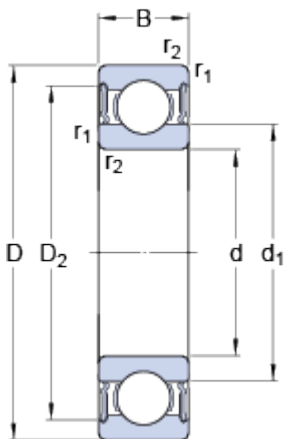


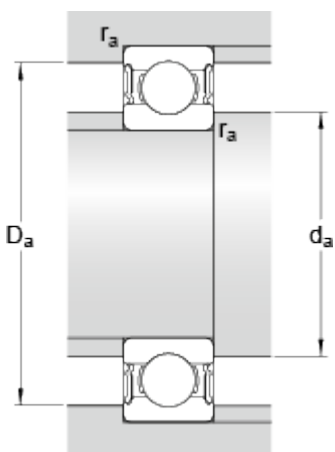
# 62311-2RS1

## Dimensions



d	55	mm
D	120	mm
B	43	mm
$d_1$	≈ 75.34	mm
$D_2$	≈ 103.7	mm
$r_{1,2}$	min. 2	mm

## Abutment dimensions



$d_a$	min. 66	mm
$d_a$	max. 75.2	mm
$D_a$	max. 109	mm
$r_a$	max. 2	mm

## Calculation data

Basic dynamic load rating	C	71.5	kN
Basic static load rating	$C_0$	45	kN
Fatigue load limit	$P_u$	1.9	kN
Limiting speed		3800	r/min
Calculation factor	$k_r$	0.03	
Calculation factor	$f_0$	13.1	

## Mass

Mass bearing	2.04	kg
--------------	------	----