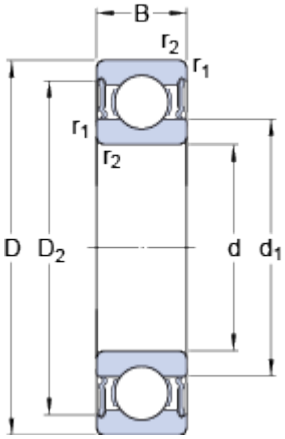


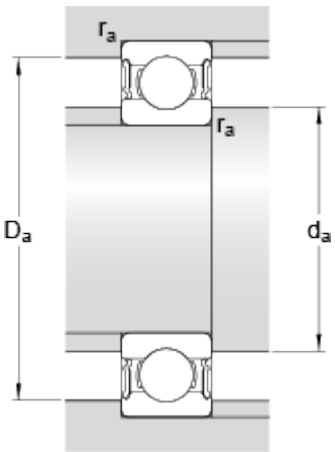
62314-2RS1

Dimensions



d	70	mm
D	150	mm
B	51	mm
d_1	≈ 94.95	mm
D_2	≈ 129.9	mm
$r_{1,2}$	min. 2.1	mm

Abutment dimensions



d_a	min. 82	mm
d_a	max. 94.9	mm
D_a	max. 138	mm
r_a	max. 2	mm

Calculation data

Basic dynamic load rating	C	104	kN
Basic static load rating	C_0	68	kN
Fatigue load limit	P_u	2.75	kN
Limiting speed		3000	r/min
Calculation factor	k_r	0.03	
Calculation factor	f_0	13.2	

Mass

Mass bearing		3.73	kg
--------------	--	------	----