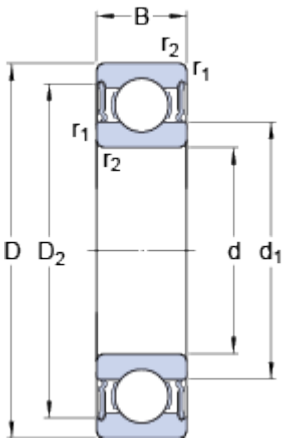


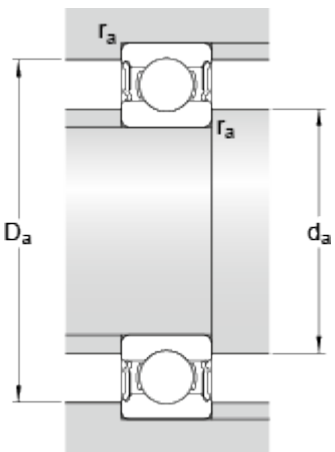
# 63009-2RS1

## Dimensions



$d$	45	mm
$D$	75	mm
$B$	23	mm
$d_1$	≈ 54.75	mm
$D_2$	≈ 67.8	mm
$r_{1,2}$	min. 1	mm

## Abutment dimensions



$d_a$	min. 50.8	mm
$d_a$	max. 54.7	mm
$D_a$	max. 69.2	mm
$r_a$	max. 1	mm

## Calculation data

Basic dynamic load rating	$C$	20.8	kN
Basic static load rating	$C_0$	14.6	kN
Fatigue load limit	$P_u$	0.64	kN
Limiting speed		5600	r/min
Calculation factor	$k_r$	0.025	
Calculation factor	$f_0$	14.9	

## Mass

Mass bearing		0.35	kg
--------------	--	------	----