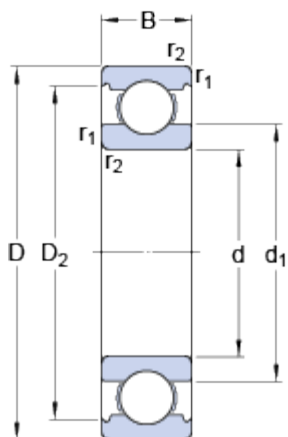




# 6310

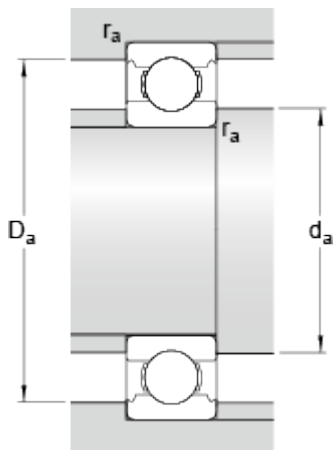
Popular item  
SKF Explorer

## Dimensions



d	50	mm
D	110	mm
B	27	mm
d <sub>1</sub>	≈ 68.76	mm
D <sub>2</sub>	≈ 95.2	mm
r <sub>1,2</sub>	min. 2	mm

## Abutment dimensions



d <sub>a</sub>	min. 61	mm
D <sub>a</sub>	max. 99	mm
r <sub>a</sub>	max. 2	mm

## Calculation data

Basic dynamic load rating	C	65	kN
Basic static load rating	C <sub>0</sub>	38	kN
Fatigue load limit	P <sub>u</sub>	1.6	kN
Reference speed		13000	r/min
Limiting speed		8500	r/min
Calculation factor	k <sub>r</sub>	0.03	
Calculation factor	f <sub>0</sub>	13	

## Mass

Mass bearing		1.08	kg
--------------	--	------	----