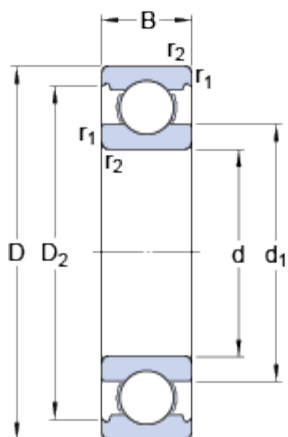


6314

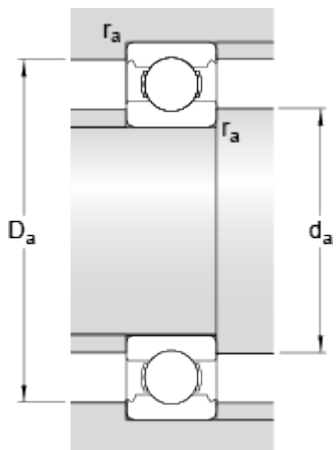
Popular item
SKF Explorer

Dimensions



d	70	mm
D	150	mm
B	35	mm
d ₁	≈ 94.95	mm
D ₂	≈ 129.9	mm
r _{1,2}	min. 2.1	mm

Abutment dimensions



d _a	min. 82	mm
D _a	max. 138	mm
r _a	max. 2	mm

Calculation data

Basic dynamic load rating	C	111	kN
Basic static load rating	C ₀	68	kN
Fatigue load limit	P _u	2.75	kN
Reference speed		9500	r/min
Limiting speed		6300	r/min
Calculation factor	k _r	0.03	
Calculation factor	f ₀	13.2	

Mass

Mass bearing		2.55	kg
--------------	--	------	----