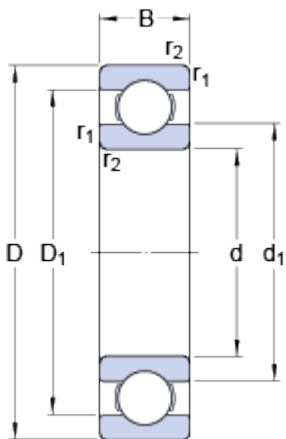


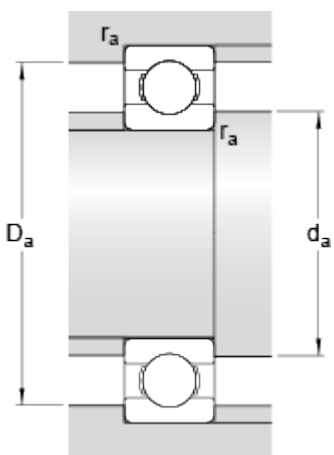
6408

Dimensions



d	40	mm
D	110	mm
B	27	mm
d ₁	≈ 62.84	mm
D ₁	≈ 86.95	mm
r _{1,2}	min. 2	mm

Abutment dimensions



d _a	min. 53	mm
D _a	max. 97	mm
r _a	max. 2	mm

Calculation data

Basic dynamic load rating	C	63.7	kN
Basic static load rating	C ₀	36.5	kN
Fatigue load limit	P _u	1.53	kN
Reference speed		14000	r/min
Limiting speed		9000	r/min
Calculation factor	k _r	0.035	
Calculation factor	f ₀	12.2	

Mass

Mass bearing	1.26	kg
--------------	------	----