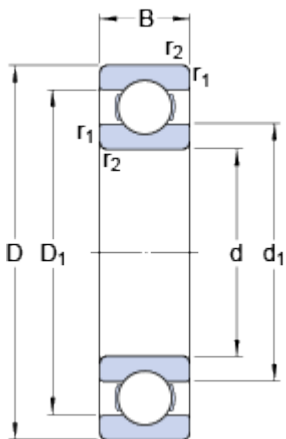


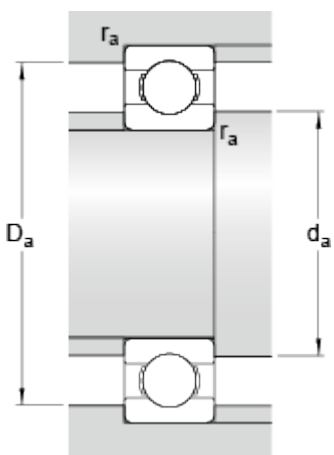
6409

Dimensions



d	45	mm
D	120	mm
B	29	mm
d_1	≈ 68.91	mm
D_1	≈ 95.85	mm
$r_{1,2}$	min. 2	mm

Abutment dimensions



d_a	min. 58	mm
D_a	max. 107	mm
r_a	max. 2	mm

Calculation data

Basic dynamic load rating	C	76.1	kN
Basic static load rating	C_0	45	kN
Fatigue load limit	P_u	1.9	kN
Reference speed		13000	r/min
Limiting speed		8500	r/min
Calculation factor	k_r	0.035	
Calculation factor	f_0	12.1	

Mass

Mass bearing	1.57	kg
--------------	------	----