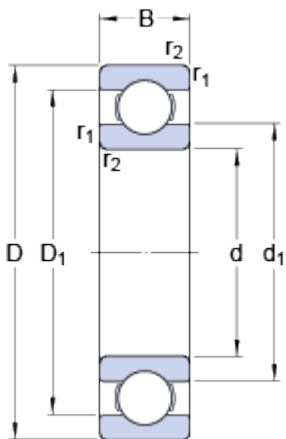


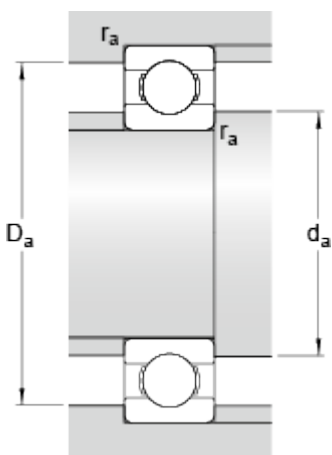
# 6410

## Dimensions



d	50	mm
D	130	mm
B	31	mm
$d_1$	≈ 75.46	mm
$D_1$	≈ 104.25	mm
$r_{1,2}$	min. 2.1	mm

## Abutment dimensions



$d_a$	min. 64	mm
$D_a$	max. 116	mm
$r_a$	max. 2	mm

## Calculation data

Basic dynamic load rating	C	87.1	kN
Basic static load rating	$C_0$	52	kN
Fatigue load limit	$P_u$	2.2	kN
Reference speed		12000	r/min
Limiting speed		7500	r/min
Calculation factor	$k_r$	0.035	
Calculation factor	$f_0$	12.2	

## Mass

Mass bearing	1.94	kg
--------------	------	----