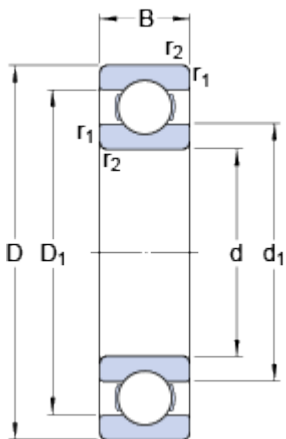


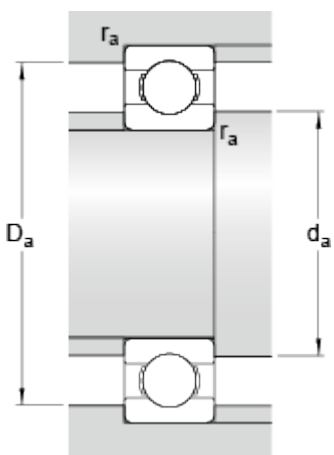
6413

Dimensions



d	65	mm
D	160	mm
B	37	mm
d ₁	≈ 94	mm
D ₁	≈ 130.5	mm
r _{1,2}	min. 2.1	mm

Abutment dimensions



d _a	min. 79	mm
D _a	max. 146	mm
r _a	max. 2	mm

Calculation data

Basic dynamic load rating	C	119	kN
Basic static load rating	C ₀	78	kN
Fatigue load limit	P _u	3.15	kN
Reference speed		9500	r/min
Limiting speed		6000	r/min
Calculation factor	k _r	0.035	
Calculation factor	f ₀	12.3	

Mass

Mass bearing	3.37	kg
--------------	------	----