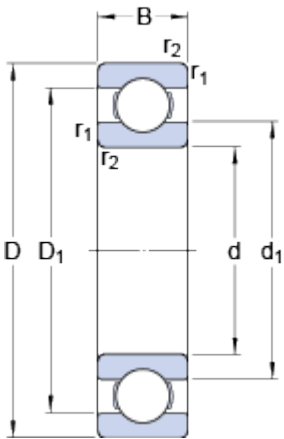


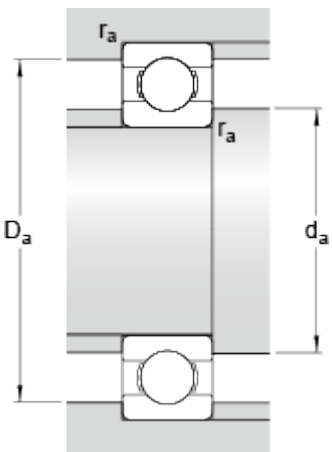
# 6414

## Dimensions



|           |          |    |
|-----------|----------|----|
| d         | 70       | mm |
| D         | 180      | mm |
| B         | 42       | mm |
| $d_1$     | ≈ 103.5  | mm |
| $D_1$     | ≈ 145.95 | mm |
| $r_{1,2}$ | min. 3   | mm |

## Abutment dimensions



|       |          |    |
|-------|----------|----|
| $d_a$ | min. 86  | mm |
| $D_a$ | max. 164 | mm |
| $r_a$ | max. 2.5 | mm |

## Calculation data

|                           |       |       |       |
|---------------------------|-------|-------|-------|
| Basic dynamic load rating | C     | 143   | kN    |
| Basic static load rating  | $C_0$ | 104   | kN    |
| Fatigue load limit        | $P_u$ | 3.9   | kN    |
| Reference speed           |       | 8500  | r/min |
| Limiting speed            |       | 5300  | r/min |
| Calculation factor        | $k_r$ | 0.035 |       |
| Calculation factor        | $f_0$ | 12.1  |       |

## Mass

|              |      |    |
|--------------|------|----|
| Mass bearing | 4.93 | kg |
|--------------|------|----|