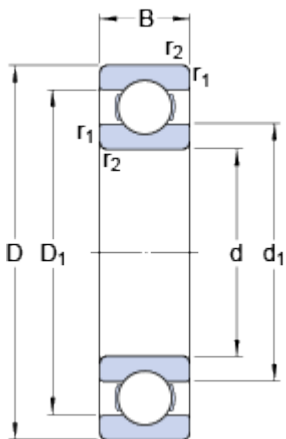


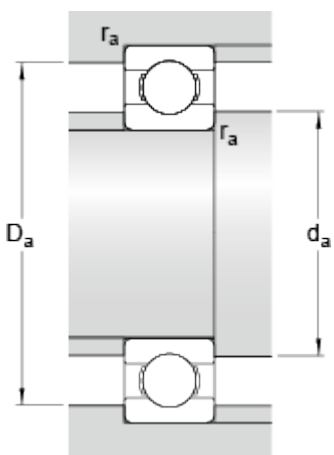
6415

Dimensions



d	75	mm
D	190	mm
B	45	mm
d_1	≈ 110	mm
D_1	≈ 154.35	mm
$r_{1,2}$	min. 3	mm

Abutment dimensions



d_a	min. 91	mm
D_a	max. 174	mm
r_a	max. 2.5	mm

Calculation data

Basic dynamic load rating	C	153	kN
Basic static load rating	C_0	114	kN
Fatigue load limit	P_u	4.15	kN
Reference speed		8000	r/min
Limiting speed		5000	r/min
Calculation factor	k_r	0.035	
Calculation factor	f_0	12.2	

Mass

Mass bearing	5.81	kg
--------------	------	----