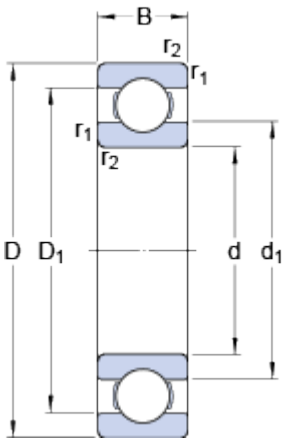


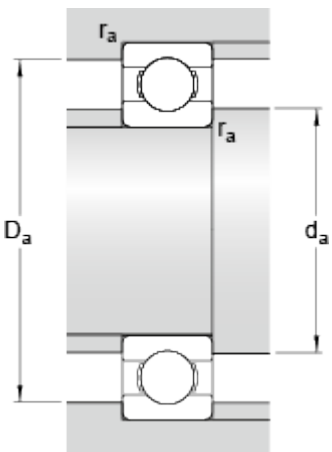
6416

Dimensions



| | | |
|-----------|---------|----|
| d | 80 | mm |
| D | 200 | mm |
| B | 48 | mm |
| d_1 | ≈ 116.5 | mm |
| D_1 | ≈ 162.8 | mm |
| $r_{1,2}$ | min. 3 | mm |

Abutment dimensions



| | | |
|-------|----------|----|
| d_a | min. 96 | mm |
| D_a | max. 184 | mm |
| r_a | max. 2.5 | mm |

Calculation data

| | | | |
|---------------------------|-------|-------|-------|
| Basic dynamic load rating | C | 163 | kN |
| Basic static load rating | C_0 | 125 | kN |
| Fatigue load limit | P_u | 4.5 | kN |
| Reference speed | | 7500 | r/min |
| Limiting speed | | 4800 | r/min |
| Calculation factor | k_r | 0.035 | |
| Calculation factor | f_0 | 12.3 | |

Mass

| | | |
|--------------|------|----|
| Mass bearing | 6.86 | kg |
|--------------|------|----|